



RE10 - RE45 STEAM BOILERS



Features

- Miniature boiler max. vessel volume 1.97ft³
- Maximum safety valve setting 100psi
- All boilers are manufactured in accordance with the requirements of the A.S.M.E. Boiler and Pressure Vessel Code and A.S.M.E. CSD-1. Each boiler bears the National Board Stamp "M".
- High quality saturated steam, operating pressure range 0 – 85psig
- All enclosed sleek design, all controls accessible from boiler front, very suitable for installation in tight spaces such as autoclaves
- Heavy duty carbon steel pressure vessel. Vessel jacket and electrical enclosure 304 stainless steel
- Large selection of optional equipment

Standard Equipment of Each Boiler Includes:

- A.S.M.E. pressure relief valve
- One (1) quick opening boiler bottom blowoff valve as per A.S.M.E. Code B31.1
- ½" NPT Bronze steam outlet ball valve
- High pressure feed pump in RBH- and RBHC-models
- Low water cutoff control with manual reset
- One (1) high pressure cutoff control with manual reset
- One (1) operating pressure control
- Magnetic contactors
- Main supply power distribution block
- Indicator lights for POWER, REFILLING, HEATING, ALARMS and Automatic Boiler Blowoff Status
- Pressure and water level gauge

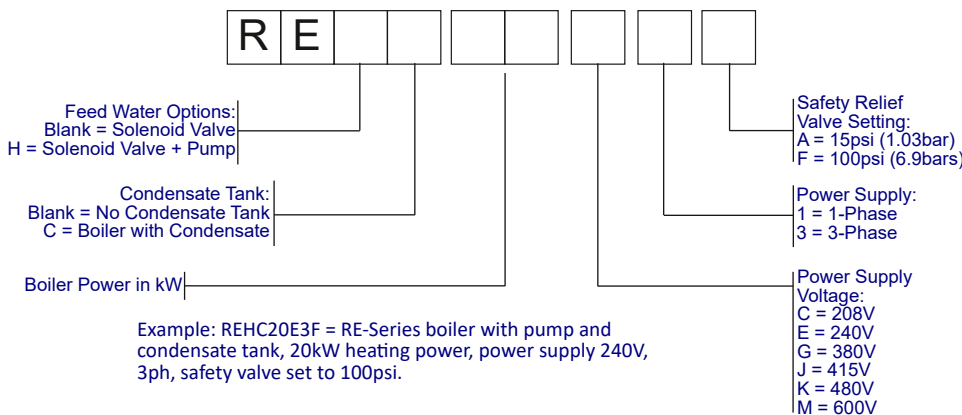
Applications

- Process Steam
- Air Humidification
- Food Service(*)
- Autoclaves/Sterilizers
- Dry Cleaning
- Laboratories

(*) **DIRECT STEAM APPLICATIONS TO FOOD PRODUCTS:** Reimers offers stainless steel boilers or #OPT1030 Brass/Bronze free boiler trim option (see Page 5). This alone does not guarantee the production of culinary grade steam. Applicable safety standards (i.e. 3-A T609) must be considered.

HEATING POWER KW	STEAM CAPACITY lbs/hr (kg/hr) ⁽⁴⁾	BHP	VOLTAGE ⁽¹⁾	PHASE	SHIP WT. ⁽³⁾ lbs (kg)	PRESSURE VESSEL CAPACITY GAL. (L)	OP. PRESS. RANGE psi (bar)	STEAM OUTLET (NPT)	
								LP <15psig	HP >15psig
10	34 (15.4)	1.00	208/240/380/415/480/600	3 ⁽²⁾	210 (95)	6.8 (25.7)	0 - 85 (0 - 5.86)	1/2	1/2
18	61 (27.6)	1.80	208/240/380/415/480/600	3 ⁽²⁾	210 (95)	6.8 (25.7)	0 - 85 (0 - 5.86)	1/2	1/2
20	68 (30.8)	2.00	208/240/380/415/480/600	3 ⁽²⁾	210 (95)	6.8 (25.7)	0 - 85 (0 - 5.86)	1/2	1/2
30	102 (46.2)	3.00	208/240/380/415/480/600	3 ⁽²⁾	210 (95)	6.8 (25.7)	0 - 85 (0 - 5.86)	1/2	1/2
45	153 (69)	4.5	208/240/380/415/480/600	3 ⁽²⁾	345 (156)	14.7 (55.7)	0 - 85 (0 - 5.86)	1/2	1/2

Model Number Key



(1) Each boiler model requires two (2) power supplies: Primary heating power and secondary control voltage. Nominal control voltage is 120V, 50/60Hz. Boiler models rated for 380V and 415V are equipped with control voltage transformers that require 220/240V applied to their primary side in order to provide the 120V AC control voltage to the boiler. As an option, all boiler models can be equipped with control voltage transformers so that only the heating power supply needs to be connected to the boiler.

(2) Also available in 240V 1PH

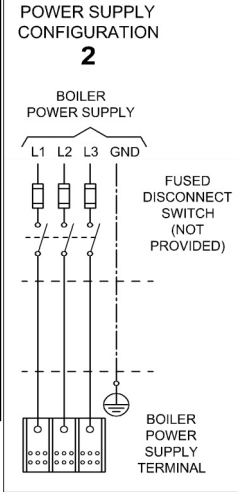
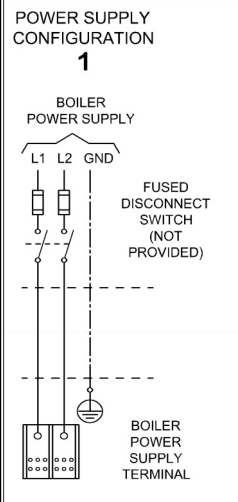
(3) On boiler equipped with condensate tank, add 90lbs (41.0kg) to shipping weight

(4) The STEAM CAPACITY listed above is based on the evaporation rate from and at 212°F, at 0 psig. If the boiler feed water temperature is 50°F, then the STEAM CAPACITY for each model listed above is approximately 15% lower.

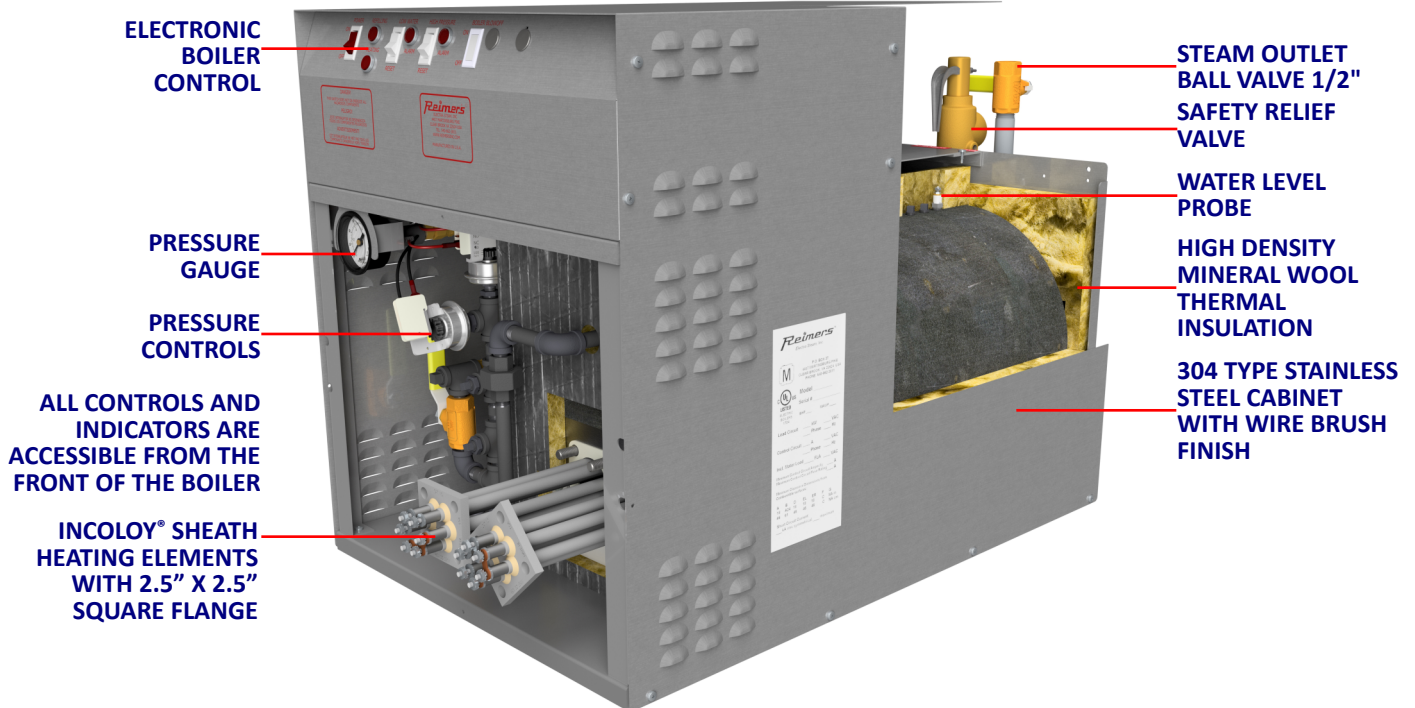
Please note that all information provided within this brochure is approximate and subject to change without notice. Please contact Reimers Electra Steam, Inc. with any questions regarding the specifications or dimensions detailed within.

Electrical Specifications

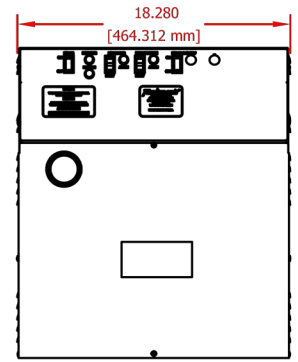
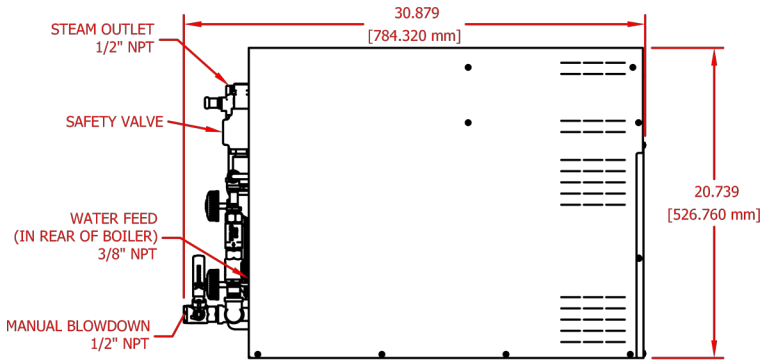
BOILER HEATING POWER	PRIMARY VOLTAGE	PHASE	AMP DRAW	MIN REQ. N.E.C. SERVICE	INTERNAL POWER FUSING	NUMBER & SIZES OF CONTACTORS	NUMBER & SIZE OF ELEMENTS	POWER SUPPLY	
								FIELD TERMINAL MIN. REQUIRED CONDUCTOR SIZE	CONFIGURATION
9.4	380	3	14.4	18.0	NO	1 X 50A RES.	1 X 15kW, 480V	12 AWG	2
10	208	3	27.8	35.0	NO	1 X 50A RES.	1 X 10kW, 208V	8 AWG	2
	240	1	41.7	52.0	NO	2 X 50A RES.	1 X 10kW, 240V	6 AWG	1
	240	3	24.1	30.0	NO	1 X 50A RES.	1 X 10kW, 240V	10 AWG	2
	415	3	13.9	17.0	NO	1 X 50A RES.	1 X 10kW, 415V	12 AWG	2
	480	3	12.0	15.0	NO	1 X 50A RES.	1 X 10kW, 480V	12 AWG	2
10.4	600	3	10.0	13.0	NO	1 X 50A RES.	2 X 10kW, 240V	14 AWG	2
17.9	300	3	17.2	22.0	NO	1 X 50A RES.	1 X 15kW, 208V + 1 X 15kW, 240V	10 AWG	2
18	208	3	50.0	62.0	NO	1 X 75A RES.	2 X 9kW, 208V	6 AWG	2
	240	1	75.0	94.0	NO	2 X 50A RES.	2 X 9kW, 240V	3 AWG	1
	240	3	43.3	54.0	NO	1 X 50A RES.	2 X 9kW, 240V	6 AWG	2
	480	3	21.7	27.0	NO	1 X 50A RES.	2 X 9kW, 480V	10 AWG	2
20	208	3	55.5	70.0	NO	1 X 75A RES.	1 X 75A RES.	4 AWG	2
	240	1	83.3	104.0	NO	2 X 50A RES.	2 X 10kW, 240V	2 AWG	1
	240	3	48.1	60.0	NO	1 X 75A RES.	2 X 10kW, 240V	6 AWG	2
	415	3	27.8	35.0	NO	1 X 50A RES.	2 X 10kW, 415V	8 AWG	2
	480	3	24.1	30.0	NO	1 X 50A RES.	2 X 10kW, 480V	8 AWG	2
20.8	600	3	20.0	25.0	NO	1 X 50A RES.	2 X 15kW, 208V	10 AWG	2
30	208	3	83.3	104.0	NO	2 X 50A RES.	2 X 15kW, 208V	2 AWG	2
	240	1	125.0	156.0	6 X 50A, 300V	2 X 50A RES.	2 X 15kW, 240V	2/0 AWG	1
	240	3	72.2	90.0	NO	1 X 75A RES.	2 X 15kW, 240V	3 AWG	2
	380	3	45.6	57.0	NO	1 X 75A RES.	2 X 15kW, 380V	6 AWG	2
	415	3	41.7	52.0	NO	1 X 50A RES.	2 X 15kW, 415V	6 AWG	2
	480	3	36.1	45.0	NO	1 X 50A RES.	2 X 15kW, 480V	8 AWG	2
	600	3	28.9	36.1	NO	1 X 50A RES.	2 X 15kW, 600V	8 AWG	2
45	208	3	124.9	156.0	9 X 50A, 250V	3 X 50A	3 X 15kW, 208V 3ph	2/0 AWG	2
	240	3	108.3	136.0	9 X 50A, 250V	3 X 50A	3 X 15kW, 240V 3ph	1/0 AWG	2
	380	3	68.4	86.0	9 X 30A, 600V	3 X 50A	3 X 15kW, 380V 3ph	3 AWG	2
	415	3	62.6	79.0	9 X 30A, 600V	3 X 50A	3 X 15kW, 415V 3ph	4 AWG	2
	180	3	54.1	68.0	9 X 30A, 600V	3 X 50A	3 X 15kW, 480V 3ph	4 AWG	2
	600	3	43.3	55.0	9 X 30A, 600V	3 X 50A	3 X 15kW, 600V 3ph	6 AWG	2



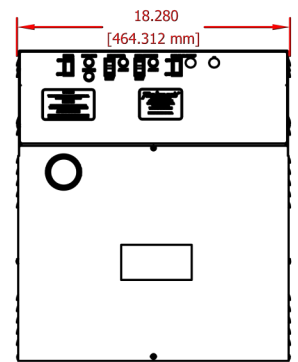
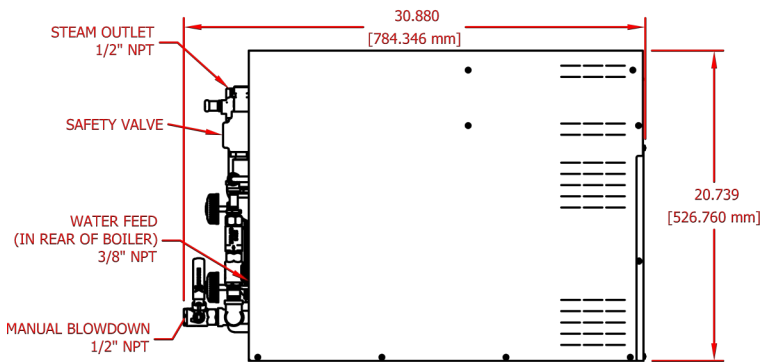
Construction



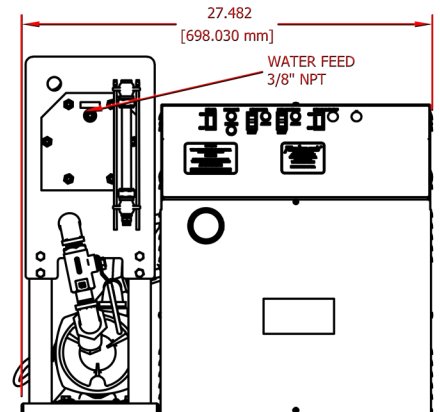
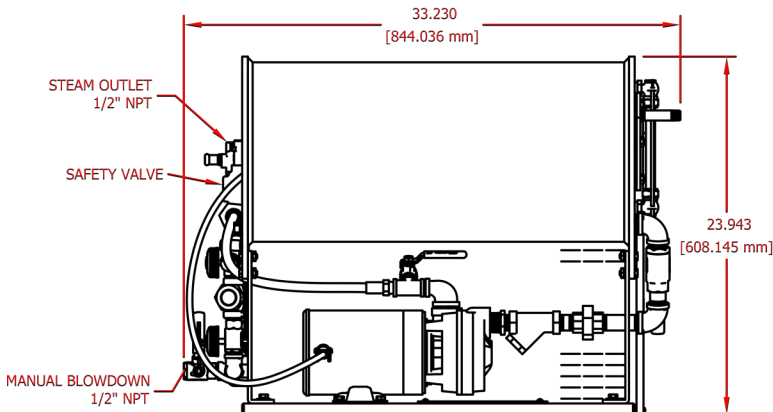
RE10-RE30 MODELS



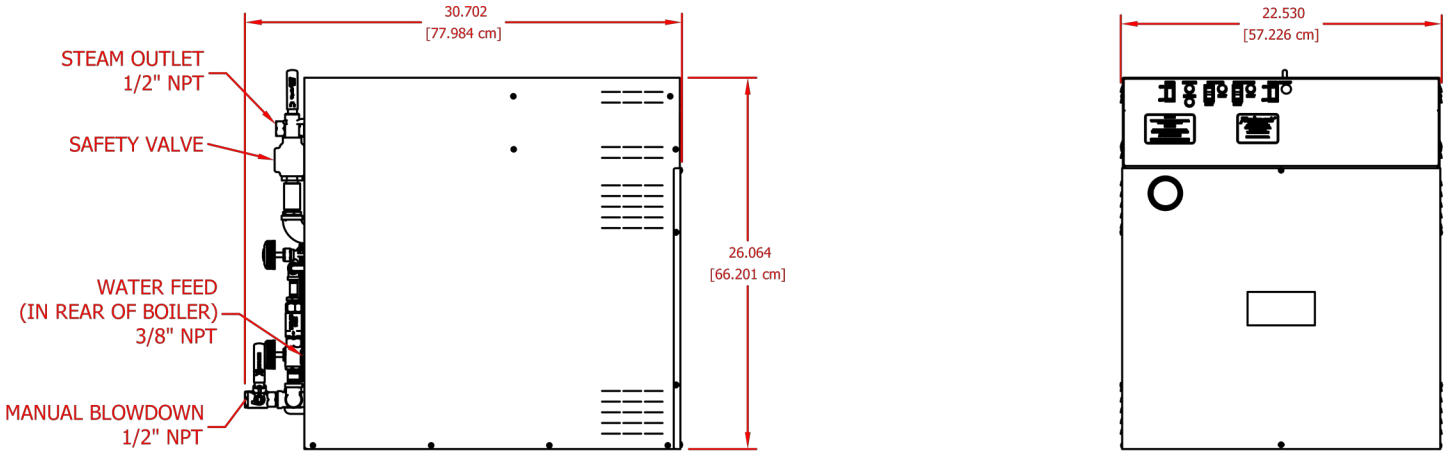
REH10-REH30 MODELS



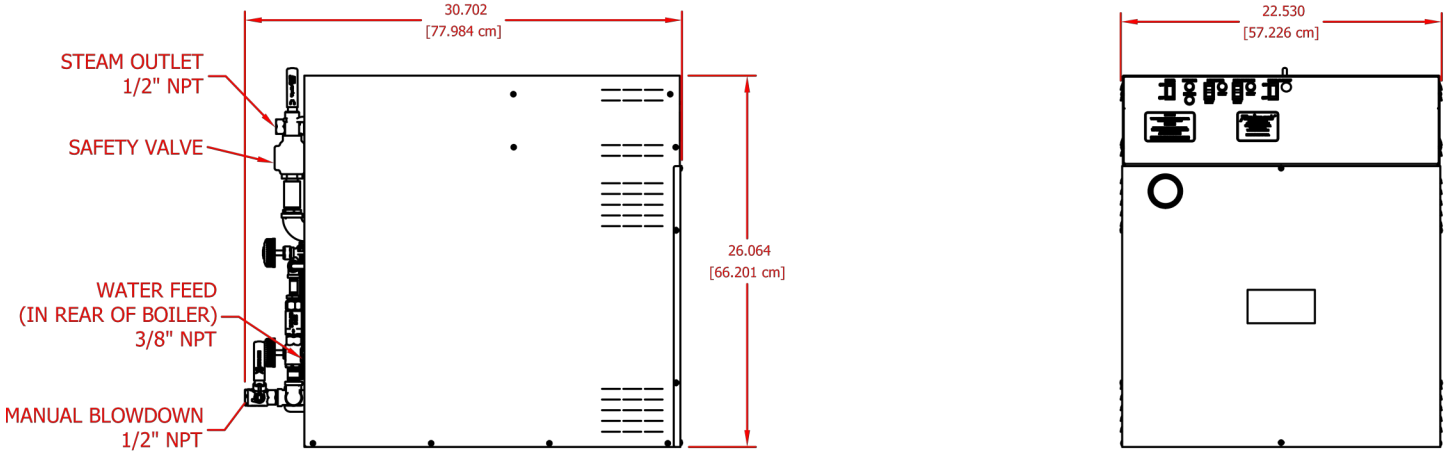
REHC10-REHC30 MODELS



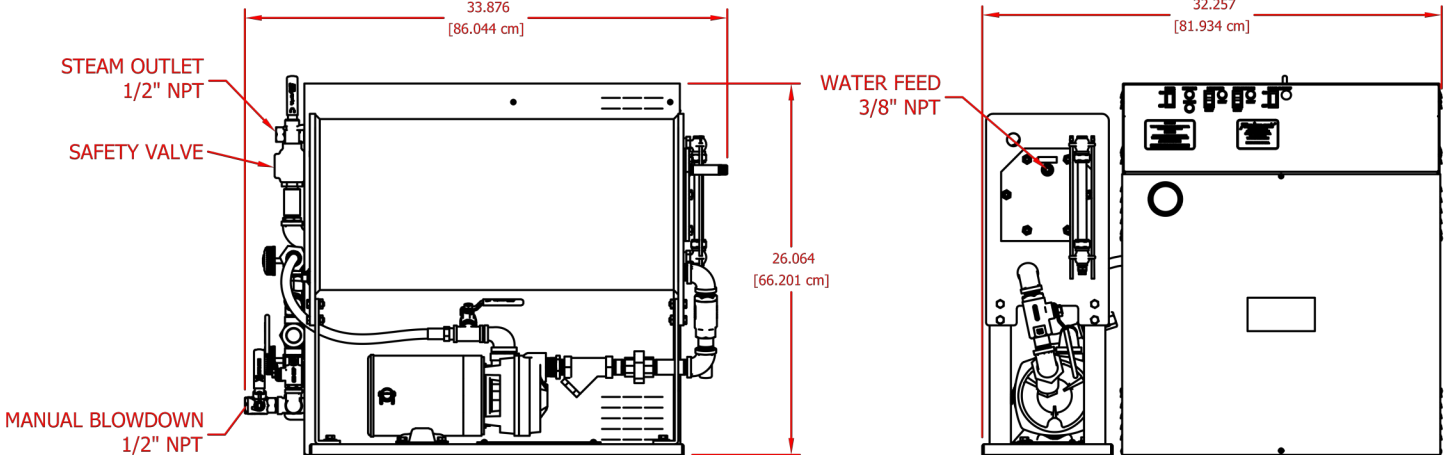
RE45 MODELS



REH45 MODELS



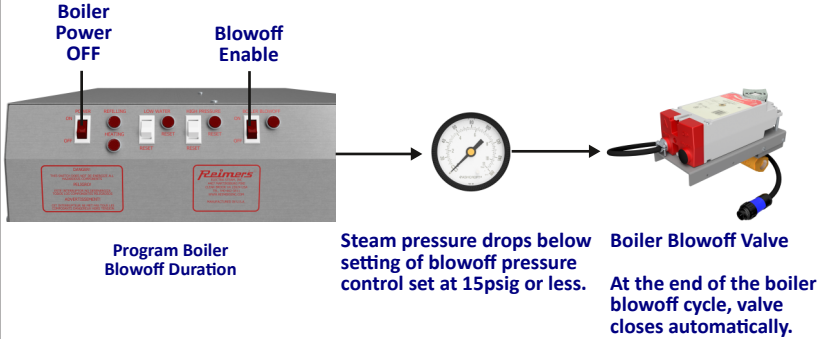
REHC45 MODELS



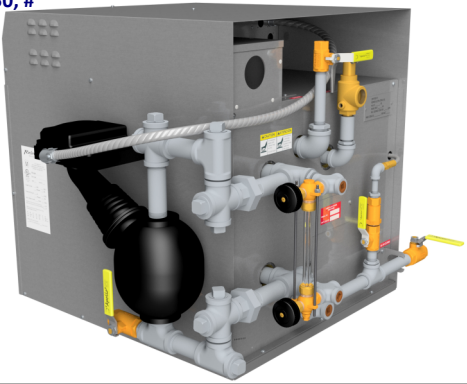
Optional Equipment and Accessories

Pressure Controlled Boiler Blowoff System Automatic Flush & Drain # OPT1016

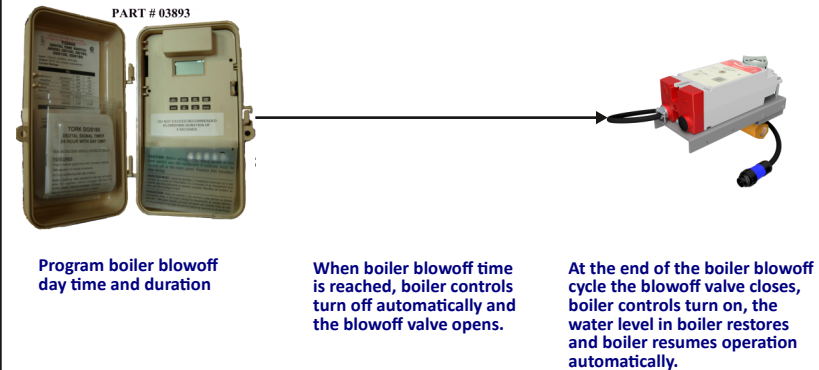
(Not suitable for 24/7 operation):



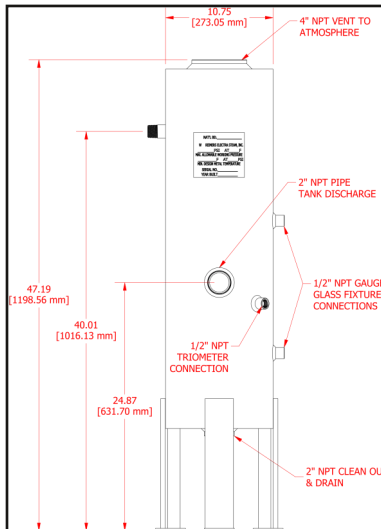
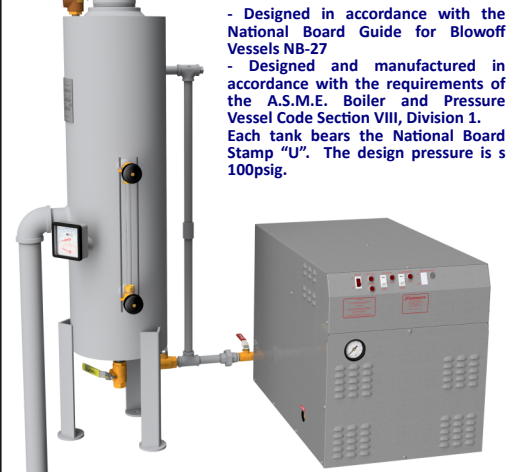
Auxiliary Low Water Cut-Off with McDonnell & Miller Model MM150, # OPTMM150:



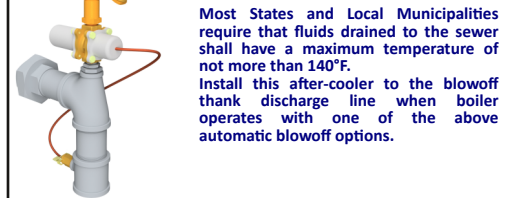
Timer Controlled Boiler Blowoff System (Suitable for 24/7 operation), # OPT1001:



Boiler Blowoff Tank, #BTANK-10:



Boiler Blowoff Tank After-Cooler #OPT1027:



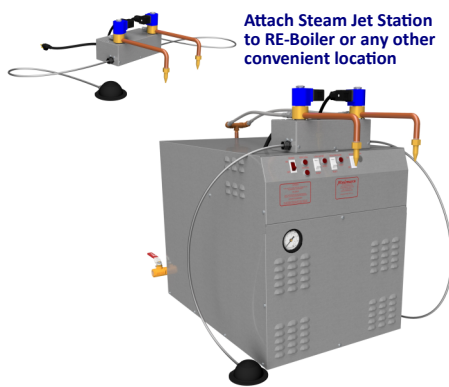
Control Voltage Transformer Options: Use one of these options for point boiler power supply.

Boiler Voltage	Transformer Option Part Number	
	RB - and RBH Series	RBHC-Series
208V	OPT1009 - 208RBH	OPT1011- 208RBHC
240V	OPT1009 - 240RBH	OPT1011- 240RBHC
380V	OPT1009 - 380RBH	OPT1011- 380RBHC
415V	OPT1009 - 380RBH	OPT1011- 380RBHC
480V	OPT1009 - 480RBH	OPT1011- 480RBHC
600V	OPT1009 - 600RBH	OPT1011- 600RBHC

Boiler Wheel Set and Steam Wand for Cleaning Applications



Steam Jet Station # 20845



Brass/Bronze-Free Boiler Trim, #OPT1030-RE:

R-series boilers in which standard brass/bronze boiler trim is replaced with carbon steel and stainless steel trim. This option reduces the lead concentration in the boiler water and discharged steam to significantly lower levels. Use this option in applications in which steam comes in direct contact with food and all other applications where lead concentrations are a concern.

Steam Filter for Culinary Steam Applications, #OPT1032:

Use this filter with FDA listed materials in food processing applications where the steam comes in direct contact with food. The 3 or 5 micron cartridges employed in this steam filter meet or exceed the 3-A guidelines for the production of Culinary Steam under Accepted Practice T609. NOTE: The installation of this filter alone does not guarantee that the steam produced by your system meets all applicable culinary steam standards.

Timer Controlled Boiler On/Off, #OPT1017

